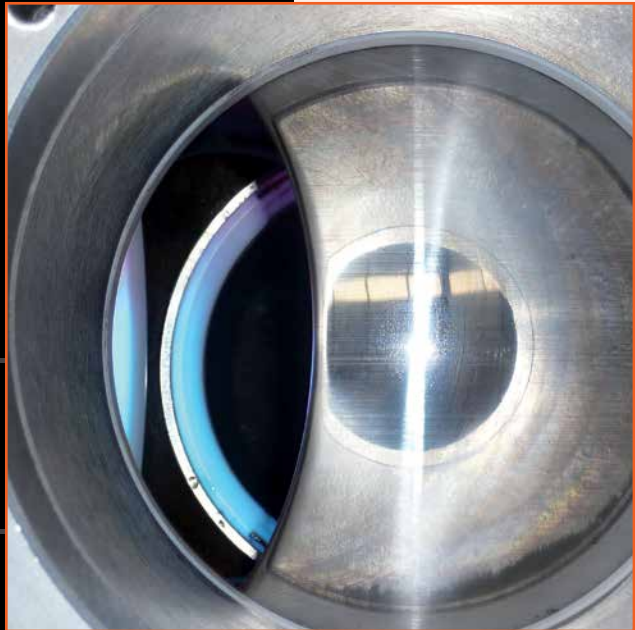
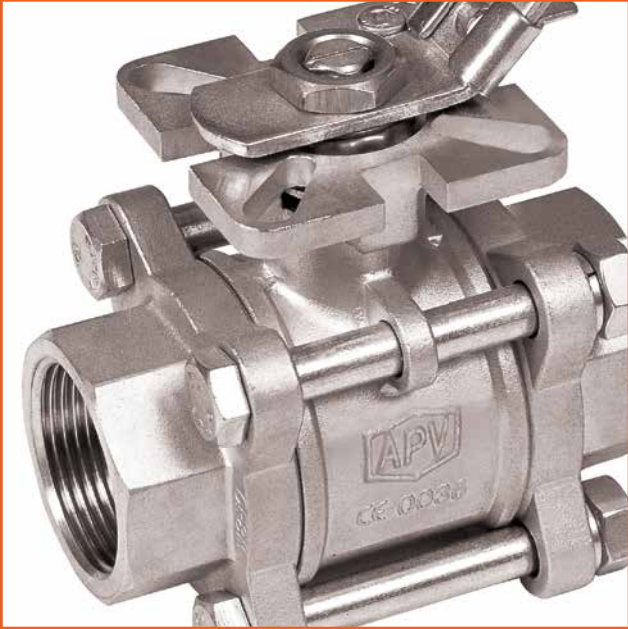
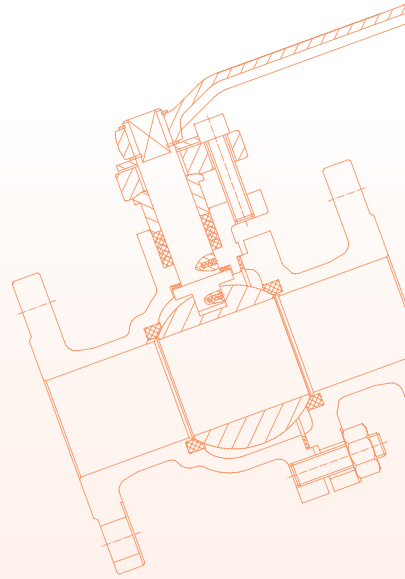


# INDUSTRIAL BALL VALVES

SHORT VERSION



**AUSTRALIAN  
PIPELINE VALVE®**

[www.australianpipelinevalve.com.au](http://www.australianpipelinevalve.com.au)

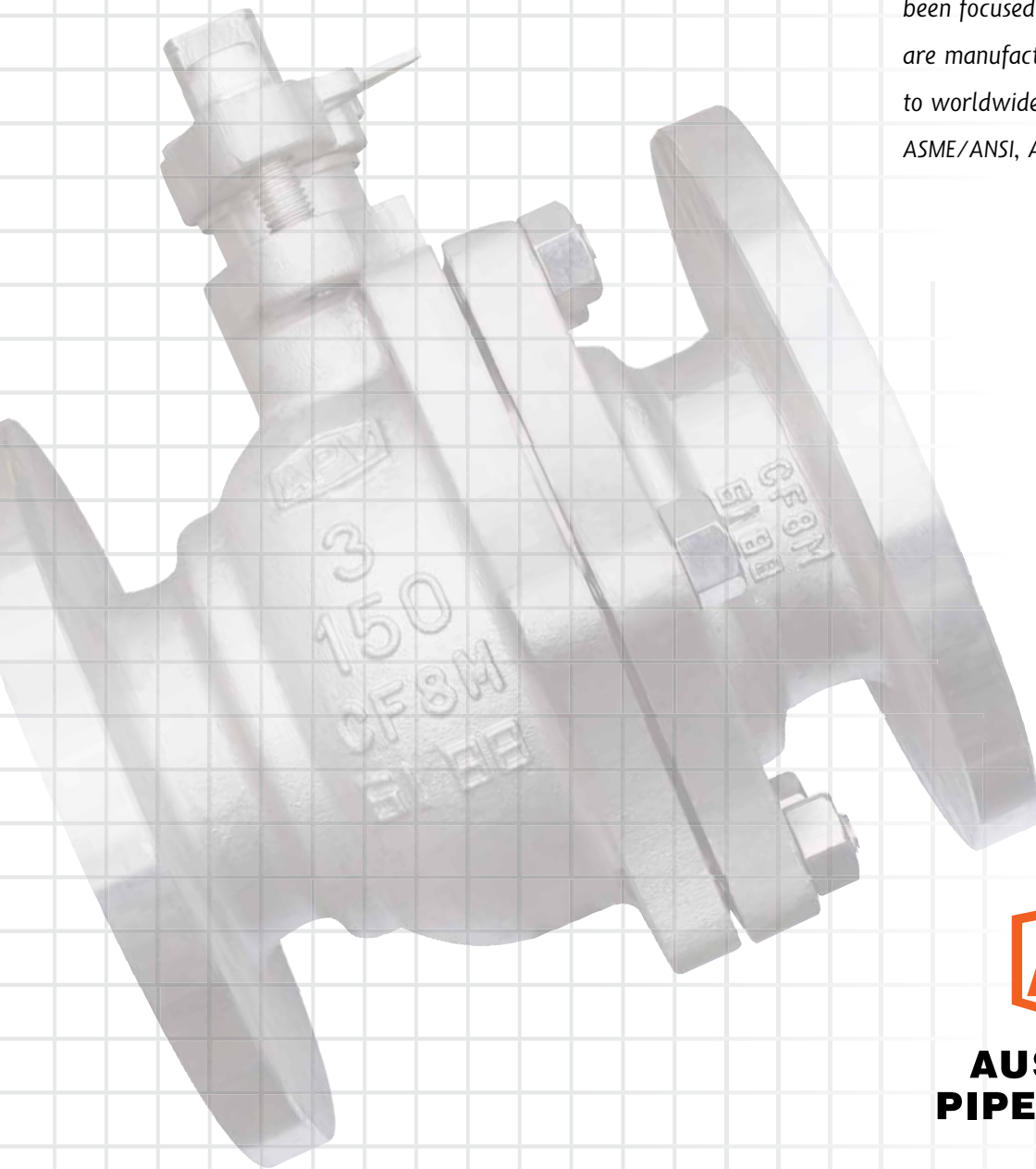
# QUALITY VALVE MANUFACTURER

## QUALITY COMMITMENT

Quality is Our First Priority.

Consistent product quality and a proven track record makes Australian Pipeline Valve a dependable choice where total reliability is the number one concern.

Since its founding, APV's philosophy has been focused on quality. Our valves are manufactured in full compliance to worldwide standards (such as ASME/ANSI, API, EN, ISO, BS, AS).



**AUSTRALIAN  
PIPELINE VALVE®**

70-78 Stanbel Road Salisbury Plain South Australia 5109  
Telephone +61 (0)8 8285 0033 Fax +61 (0)8 8285 0044  
email: [admin@australianpipelinevalve.com.au](mailto:admin@australianpipelinevalve.com.au)

[www.australianpipelinevalve.com.au](http://www.australianpipelinevalve.com.au)

## CONTENTS - SHORT VERSION\*

1 Piece Body 1000 PSI Ball Valve APL190/APL197	4
2 Piece Body 1000 PSI Ball Valve 660	5*
2 Piece Body 2000 PSI Ball Valve 660-HP	6~7
3 Piece Body 1000 PSI Ball Valve VT-3-L30	8
3 Piece Body 2000 PSI Ball Valve BV100-L80	9
3 Piece 1500 PSI / 2000 PSI Ball Valve BV100-370	10
3 Piece Body 1000 PSI Ball Valve VT-3-M30	11~13*
3 Piece 1500 PSI / 2000 PSI Ball Valve HVT-3	14~15*
High Pressure 3000 PSI WOG HP Series	16*
Spring Return Deadman Handle	17~18*
Steam Jacketed Ball Valve Wafer Style	19*
PFA/FEP Lined Ball Valve	20~22
Lined Ball Valves DO Series	23*
Flanged 2 Piece Type Ball Valve SLBV01 Series	24~25
Hygienic Quarter Turn Valves	26*

\* This version excludes some of these pages, refer to full version at website.



© Copyright Australian Pipeline Valve 1990 - 2022 Edition

Catalogues, photos, brochures and technical publications are the exclusive property of Australian Pipeline Valve. Any unauthorised reproduction in total or in part, shall result in prosecution. Products and data sheets in this publication are subject to change at anytime without notice. Australian Pipeline Valve reserves the right to carry out amendments to products and materials.

# 1 PIECE BODY 1000/2000 PSI BALL VALVES APL190/APL197

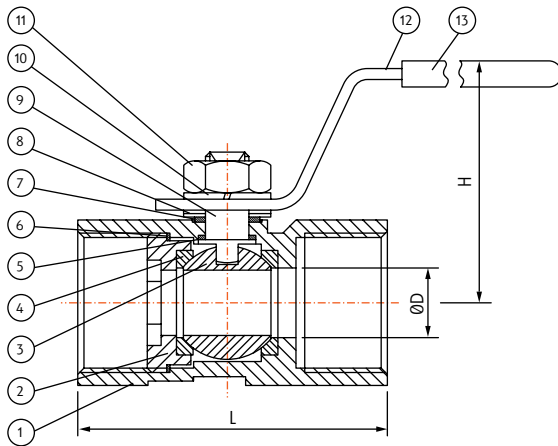
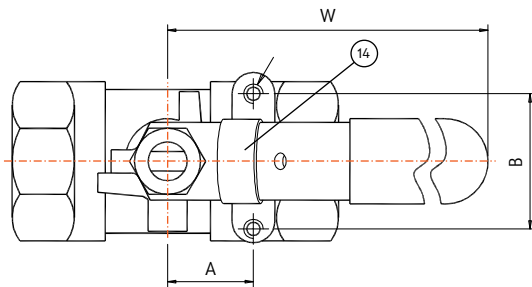
## FEATURES

- L190 1000PSI, L197 2000PSI up to 50NB.
- Reinforced TFE seats increase durability.
- Self adjusting Belleville packing spring.
- Bottom-loaded blow-out proof stem.
- NPT threaded ends complies with ANSI B1.20.1.
- BSP threaded ends complies with BS 21, ISO 7/1.
- Tested according to MSS SP-110/API 598.
- Optional Mount Pad.



## MATERIALS LIST

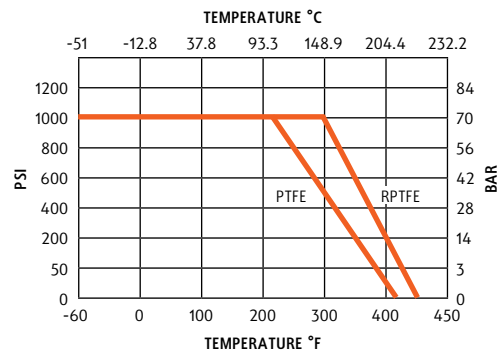
Item	Parts	Stainless Steel	Carbon Steel	Pcs
1	Body	ASTM A351 CF8M	ASTM A216 WCB	1
2	Body Insert	ASTM A351 CF8M/316	ASTM A216 WCB/A108	1
3	Ball	ASTM A351 CF8M/316	ASTM A351 CF8/304	1
4	Seat	PTFE	PTFE	2
5	Thrust Washer	PTFE	PTFE	1
6	Body Gasket	PTFE	PTFE	1
7	Stem Packing	PTFE	PTFE	1
8	Belleville Spring	AISI 301	AISI 301	2
9	Stem	ASTM A276 316	ASTM A276 304	1
10	Spring Washer	AISI 304	AISI 304	1
11	Handle Nut	AISI 304	AISI 304	1
12	Handle	AISI 304	Zinc Plated Steel	1
13	Sleeve	Vinyl Plastisol	Vinyl Plastisol	1
14	Locking Device	AISI 304	AISI 304	1v



## OPTIONS

- L Locking Device
- V Vented Ball
- P Equipped with Pneumatic Actuator
- M Mounting Pad

## PRESSURE/TEMPERATURE RATING



## DIMENSIONS

Size		ØD		L		H		W		Weights
IN	DN	IN	MM	IN	MM	IN	MM	IN	MM	KG
1/4"	8	0.20	5	1.54	39	1.30	33	2.68	68	0.1
3/8"	10	0.28	7	1.77	45	1.38	35	3.11	79	0.1
1/2"	15	0.35	9	2.20	56	1.65	42	3.54	90	0.2
3/4 "	20	0.49	12	2.36	60	1.81	46	3.54	90	0.3
1"	25	0.63	16	2.80	71	1.97	50	4.09	104	0.4
1-1/4"	32	0.79	20	3.03	71	2.20	56	4.09	104	0.6
1-1/2"	40	0.98	25	3.27	83	2.60	66	4.96	126	0.9
2"	50	1.26	32	3.94	100	2.83	72	4.96	126	1.4

We reserve the rights to modify our product design or construction for improvement without prior notice.

# 2 PIECE BODY 1500/2000 PSI BALL VALVES 660-HP

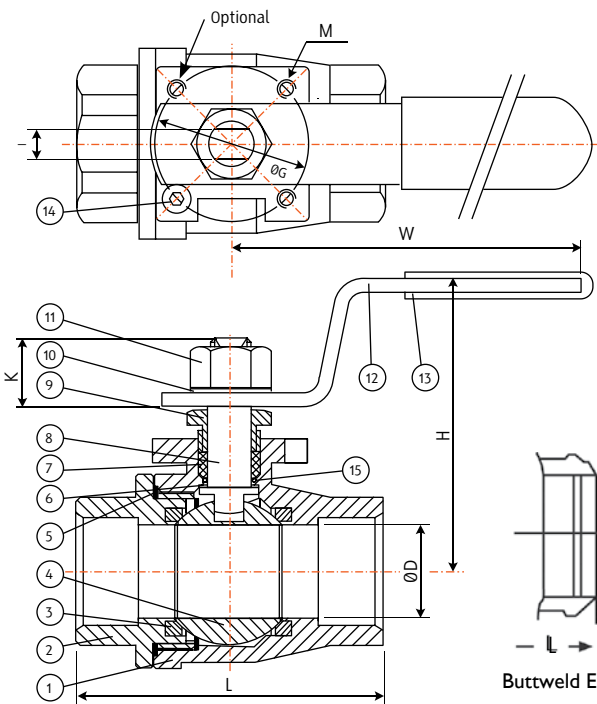
## FEATURES

- Reinforced TFE seats increase durability.
- Adjustable packing gland.
- Bottom-loaded blow-out proof stem.
- Low operating torque to reduce automation costs.
- Mounting pad complies with ISO 5211 for ease and interchangeability of actuation.
- Basic design complies with MSS SP-110.
- NPT threaded ends complies with ANSI B 1.20.1.
- BSP threaded ends complies with BS 21, Butt weld also available.
- Tested according to MSS SP-110/API 598.



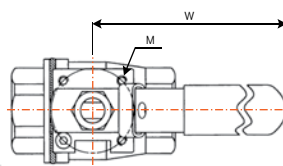
## MATERIALS LIST

No.	Parts		
1	Body	ASTM A351-CF8M/CF8	ASTM A216-WCB
2	End Cap	ASTM A351-CF8M/CF8	ASTM A216-WCB
3	Seat	RPTFE/PTFE	RPTFE/PTFE
4	Ball	ASTM A351-CF8M/CF8	ASTM A351-CF8/304
5	Gasket	PTFE	PTFE
6	Thrust Washer	PTFE	PTFE
7	Stem Packing	PTFE	PTFE
8	Stem	ASTM A276-316	ASTM A276-304
9	Gland	AISI 304	AISI 304
10	Handle Washer	AISI 304	AISI 304
11	Handle Nut	AISI 304	AISI 304
12	Handle	AISI 304	Zinc Plated Steel
13	Handle Cover	PVC	PVC
14	Stop Screw	AISI 304	Carbon Steel
15	O-Ring	Viton	FKM



## OPTIONS

- L Locking Device
- V Vented Ball
- P Equipped with Pneumatic Actuator
- M Mounting Pad
- W Seal Welded



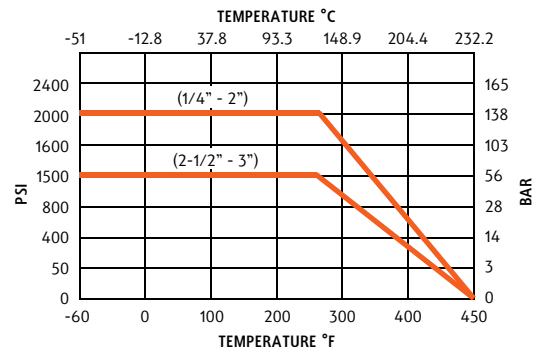
Option - Seal welded body version also available

## DIMENSIONS

Size		ØD	L	I	K	ØG	H	W	M
in	mm	mm	mm	mm	mm	mm	mm	mm	mm
1/4"	8	11.6	54				50	96	
3/8"	10	12.7	60				50	96	
1/2"	15	15	61 / 63	5	12	36	62	100	M5
3/4"	20	20	73	6	13.5	36	68	121	M5
1"	25	25.4	85	8	18	42	80	153	M5
1-1/4"	32	32	97 / 102	8	18	42	86	153	M5
1-1/2"	40	38	108 / 115	8	18	50	86	80	M6
2"	50	50	124 / 134	8	18	50	95	180	M6
2-1/2"	65	65	163 / 168	12	29	70	132	265	M8
3"	80	80	185 / 191	12	29	70	143	265	M8

\* For 4" refer to separate drawing

## PRESSURE/TEMPERATURE RATING



We reserve the rights to modify our product design or construction for improvement without prior notice.

# HIGH CYCLE STEM SEAL SYSTEM 2000PSI 2 PIECE BALL VALVES 660-L20H

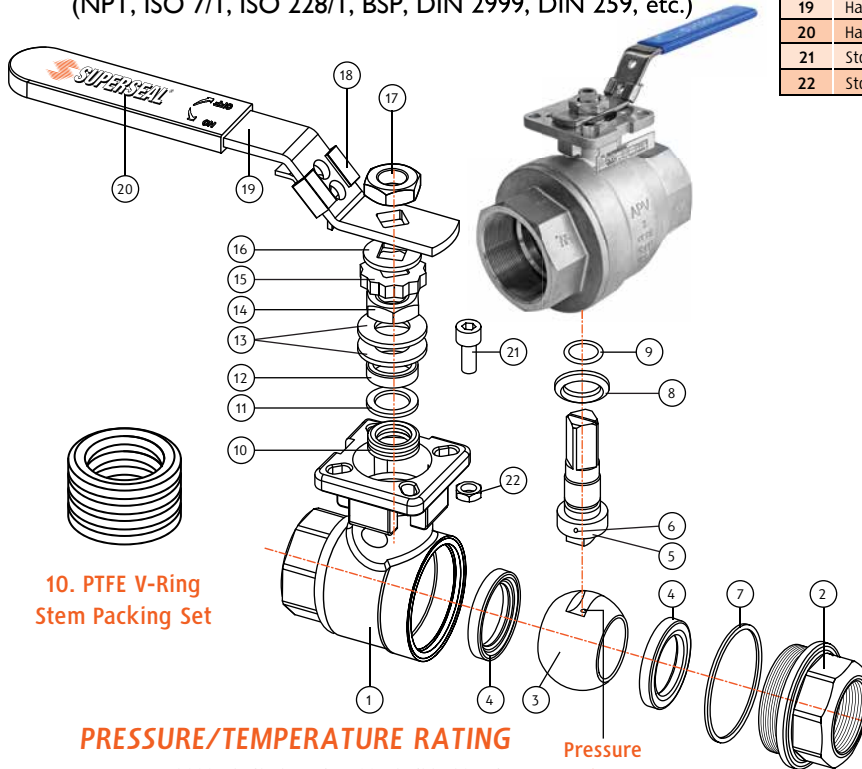
## FEATURES

- High Cycle Triple Barrier Stem Seal System
- V-Type Packing for Maximum Stem Sealing
- Full Port DN 8NB~80NB (1/4" - 3")
- 2000PSI (13790 kPa) for 25NB  
1500PSI (10342 kPa) for 32~80NB
- Long life for Actuated Valve Applications
- Belleville Washer Set for Automatic Compression of Stem Sealing
- Direct Mount Pad (ISO 521 I)
- TA Luft Fugitive Emission Compliant
- Precision Investment Heavy 2 Piece Cast Body
- Blow-Out Proof Stem
- Available in Carbon Steel or Stainless Steel
- Various End Connections Available (NPT, ISO 7/1, ISO 228/1, BSP, DIN 2999, DIN 259, etc.)



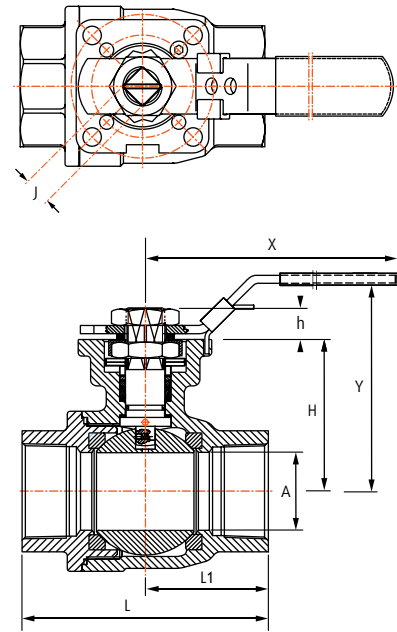
## MATERIALS LIST

No.	Part Name	Quantity	Material
1	Body	1	WCB/CF8M
2	End Cap	1	WCB/CF8M
3	Ball	1	SUS316
4	Ball Seat	2	TFM4215/TFM 1600/(RPTFE)
5	Stem	1	SUS316
6	Antistatic Device	1	SUS316
7	Body Gasket	1	PTFE/TFM1600
8	Energised Stem Seal	1	PTFE/TFM1600/RTFE
9	O-Ring	1	FKM
10	Stem Packing Set	2 or 4	PTFE V- Rings
11	Bushing	2	50% SS+50% PTFE
12	Gland	1	SUS316
13	Belleville Washers	2	SUS301
14	Stem Nut	1	A194-8/SUS304
15	Stop-Lock Cap	1	SUS304
16	Handle Gland	1	SUS304
17	Handle Nut	1	A194-8/SUS304
18	Lock Device	1	SUS304
19	Handle	1	SUS304
20	Handle Sleeve	1	Vinyl Plastic
21	Stop Bolt	1	A2-70/SUS304
22	Stop Nut	1	A2-70/SUS304



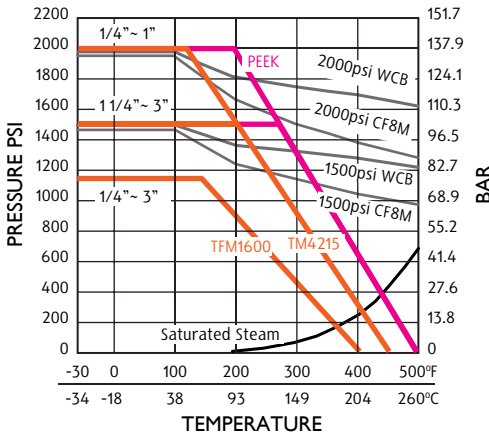
10. PTFE V-Ring Stem Packing Set

Direct Mount Pad



## PRESSURE/TEMPERATURE RATING

Full Bore - 2000 PSI (8~25NB) 1500 PSI (32~80NB)



Pressure Balance Hole

## DIMENSIONS & TORQUE

(MM & NM)

Size	8	10	15	20	25	32	40	50	65	80
	1/4"	3/8"	1/2"	3/4"	1"	1-1/4"	1-1/2"	2"	2-1/2"	3"
A	10.6	12.7	15.0	20.0	25.0	32.0	38.0	50.0	63.5	76.0
h	9.0	9.0	9.0	9.0	11.0	11.0	14.0	14.0	17.0	17.0
H	43.1	43.1	43.1	50.7	58.5	63.0	73.5	83.0	102.3	110.7
L	62	62	75	80	90	110	120	140	185	205
L1	29.0	29.0	34.5	37.0	45.0	51.0	60.0	70.0	92.5	102.5
J	9	9	9	9	11	11	14	14	17	17
X	147	147	147	147	177	177	197	197	267	267
Y	74	74	74	82	90	94	107	117	151	160
Torque Nm	7	8	8	9	16	26	37	55	85	146

This catalogue is general in it's nature and design and can vary at any time. This catalogue is to be used as a guide only.

# HIGH CYCLE STEM SEAL SYSTEM 1000PSI 3-PIECE BALL VALVES VT-3-L30

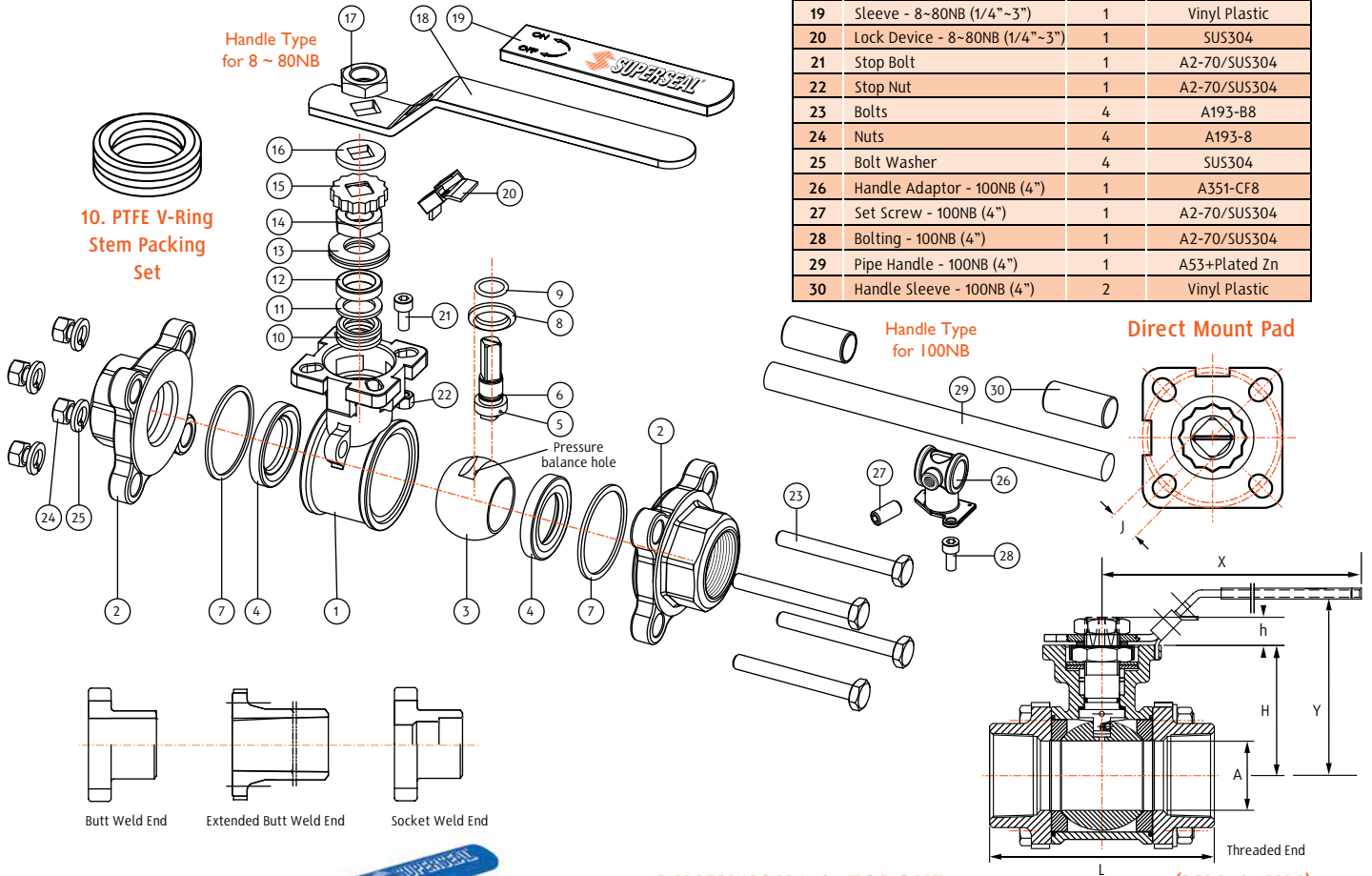
## FEATURES

- High Cycle Triple Barrier Stem Seal System
- V-Type Packing for Maximum Stem Sealing
- Full Port DN 8NB~100NB (1/4" - 4")
- 1000PSI (6895 kPa)
- Long life for Actuated Valve Applications
- Belleville Washer Set for Automatic Compression of Stem Sealing
- Direct Mount Pad (ISO 521 I)
- TA Luft Fugitive Emission Compliant
- Precision Investment Heavy 3 Piece Cast Body
- Blow-Out Proof Stem
- Available in Carbon Steel or Stainless Steel
- Various End Connections Available  
(NPT, ISO 7/I, ISO 228/I, BSP, DIN 2999, DIN 259, etc.)



## MATERIALS LIST

No.	Part Name	Quantity	Material
1	Body	1	WCB/CF8M
2	End Cap	1	WCB/CF8M
3	Ball	1	SUS316
4	Seats	2	PTFE
5	Stem	1	SUS316
6	Antistatic Device	1	SUS316
7	Body Gasket	1	PTFE/TFM1600
8	Energised Stem Seal	1	PTFE/TFM1600/RTFE
9	O-Ring	1	FKM
10	Stem Packing Set	2 or 4	PTFE V-Rings
11	Bushing	2	50% SS+50% PTFE
12	Gland	1	SUS316
13	Belleville Washer	2	SUS301
14	Stem Nut	1	A194-8/SUS304
15	Stop-Lock Cap	1	SUS304
16	Handle Gland	1	SUS304
17	Handle Nut - 8~80NB (1/4"~3")	1	A194-8/SUS304
18	Handle - 8~80NB (1/4"~3")	1	SUS304
19	Sleeve - 8~80NB (1/4"~3")	1	Vinyl Plastic
20	Lock Device - 8~80NB (1/4"~3")	1	SUS304
21	Stop Bolt	1	A2-70/SUS304
22	Stop Nut	1	A2-70/SUS304
23	Bolts	4	A193-B8
24	Nuts	4	A193-8
25	Bolt Washer	4	SUS304
26	Handle Adaptor - 100NB (4")	1	A351-CF8
27	Set Screw - 100NB (4")	1	A2-70/SUS304
28	Bolting - 100NB (4")	1	A2-70/SUS304
29	Pipe Handle - 100NB (4")	1	A53+Plated Zn
30	Handle Sleeve - 100NB (4")	2	Vinyl Plastic



## DIMENSIONS & TORQUE

(MM & NM)

Size	8	10	15	20	25	32	40	50	65	80	100
	1/4"	3/8"	1/2"	3/4"	1"	1-1/4"	1-1/2"	2"	2-1/2"	3"	4"
A	10.6	12.7	15.0	20.0	25.0	32.0	38.0	50.0	63.5	76.0	100
h	9.0	9.0	9.0	9.0	11.0	11.0	14.0	14.0	17.0	17.0	22.0
H	42	42	42	48.5	58.5	63	71.3	78.2	100	108.5	140.0
L	75	75	75	80	90	110	120	140	185	205	240
J	9.0	9.0	9.0	9.0	11.0	11.0	14.0	14.0	17.0	17.0	22.0
X	147	147	147	147	177	177	197	197	267	267	400
Y	72	72	72	79	89	93	103	110	150	159	212
Torque Nm	4.5	4.5	5	6	11	19	26	38	59	101	148.0

This catalogue is general in its nature and design and can vary at any time. This catalogue is to be used as a guide only.

# HIGH CYCLE STEM SEAL SYSTEM 2000PSI 3-PIECE BALL VALVES BV100-L80

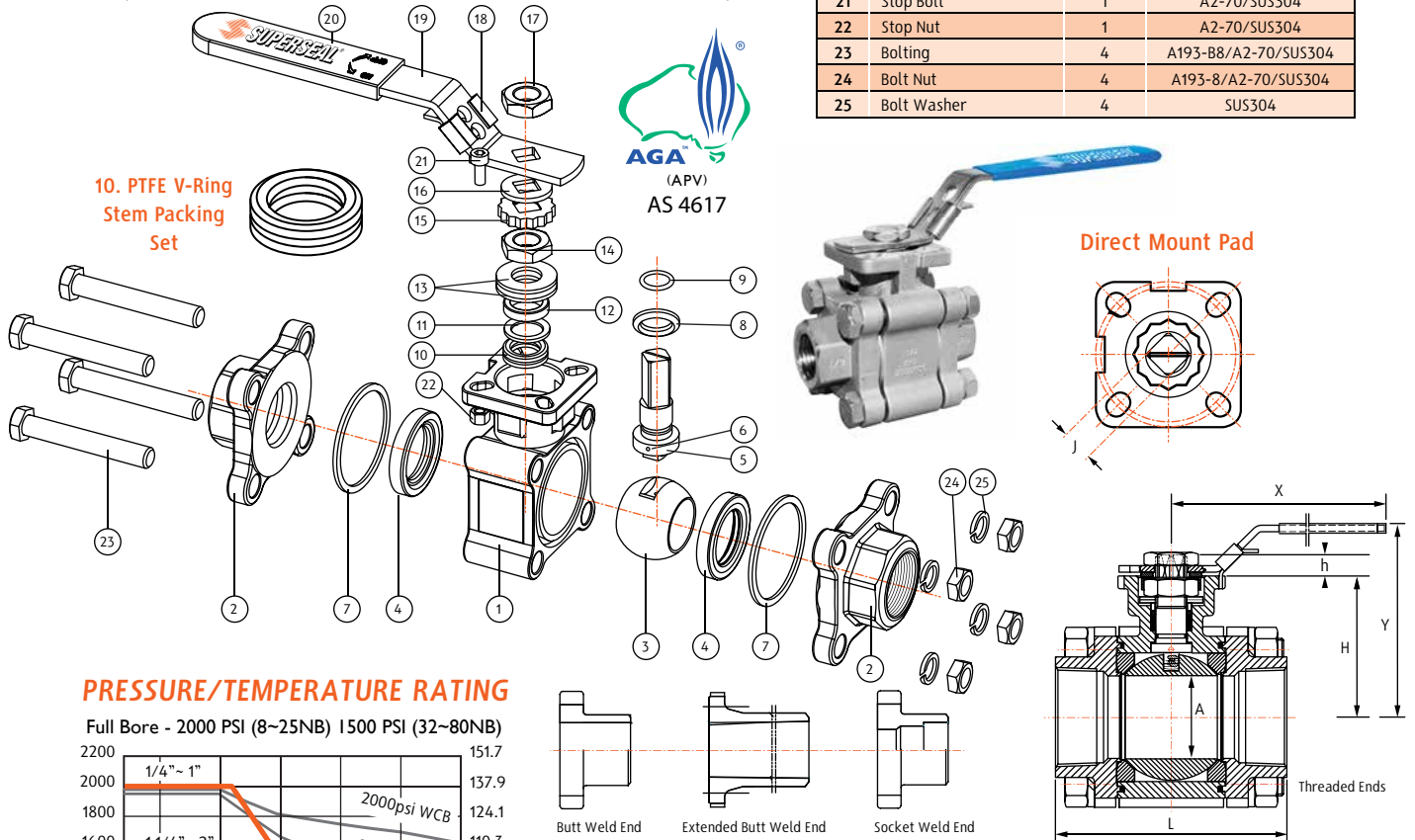
## FEATURES

- High Cycle Triple Barrier Stem Seal System
- V-Type Packing for Maximum Stem Sealing
- Full Port DN 8NB~50NB (1/4" - 2")
- 2000PSI (13790 kPa) for 25NB  
1500PSI (10342 kPa) for 32~50NB
- Long life for Actuated Valve Applications
- Belleville Washer Set for Automatic Compression of Stem Sealing
- Direct Mount Pad (ISO 521 I)
- Inside Bolting
- TA Luft Fugitive Emission Compliant
- Precision Investment Heavy 3 Piece Cast Body
- Blow-Out Proof Stem
- Available in Carbon Steel or Stainless Steel
- Various End Connections Available  
(NPT, ISO 7/1, ISO 228/1, BSP, DIN 2999, DIN 259, etc.)

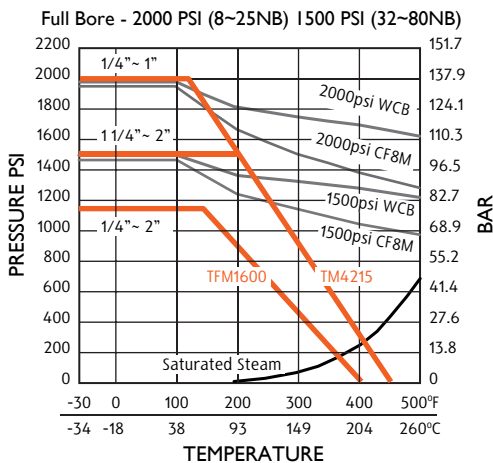


## MATERIALS LIST

No.	Part Name	Quantity	Material
1	Body	1	WCB/CF8M
2	End Cap	1	WCB/CF8M
3	Ball	1	SUS316
4	Ball Seat	2	TFM4215/TFM 1600/(RPTFE)
5	Stem	1	SUS316
6	Antistatic Device	1	SUS316
7	Body Gasket	1	PTFE/TFM1600
8	Energised Stem Seal	1	PTFE/TFM1600/RTFE
9	O-Ring	1	FKM
10	Stem Packing Set	2 or 4	PTFE V-Rings
11	Bushing	2	50% SS+50% PTFE
12	Gland	1	SUS316
13	Belleville Washers	2	SUS301
14	Stem Nut	1	A194-8/SUS304
15	Stop-Lock Cap	1	SUS304
16	Handle Gland	1	SUS304
17	Handle Nut	1	A194-8/SUS304
18	Lock Device	1	SUS304
19	Handle	1	SUS304
20	Handle Sleeve	1	Vinyl Plastic
21	Stop Bolt	1	A2-70/SUS304
22	Stop Nut	1	A2-70/SUS304
23	Bolting	4	A193-B8/A2-70/SUS304
24	Bolt Nut	4	A193-8/A2-70/SUS304
25	Bolt Washer	4	SUS304



## PRESSURE/TEMPERATURE RATING



## DIMENSIONS & TORQUE

(MM & NM)

Size	8	10	15	20	25	32	40	50
	1/4"	3/8"	1/2"	3/4"	1"	1-1/4"	1-1/2"	2"
A	10.6	12.7	15.0	20.0	25.0	32.0	38.0	50.0
h	9.0	9.0	9.0	9.0	11.0	11.0	14.0	14.0
H	43	43	43	51	58	63	75	86
L	75	75	75	80	90	110	120	140
J	9.0	9.0	9.0	9.0	11.0	11.0	14.0	14.0
X	147	147	147	147	177	177	197	197
Y	73	73	73	81	88	93	107	118
Torque Nm	7	8	8	9	16	26	37	55

This catalogue is general in its nature and design and can vary at any time. This catalogue is to be used as a guide only.



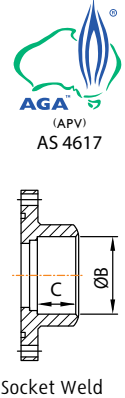
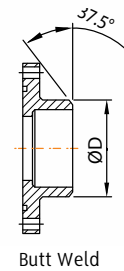
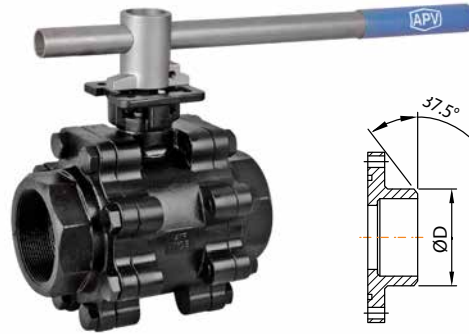
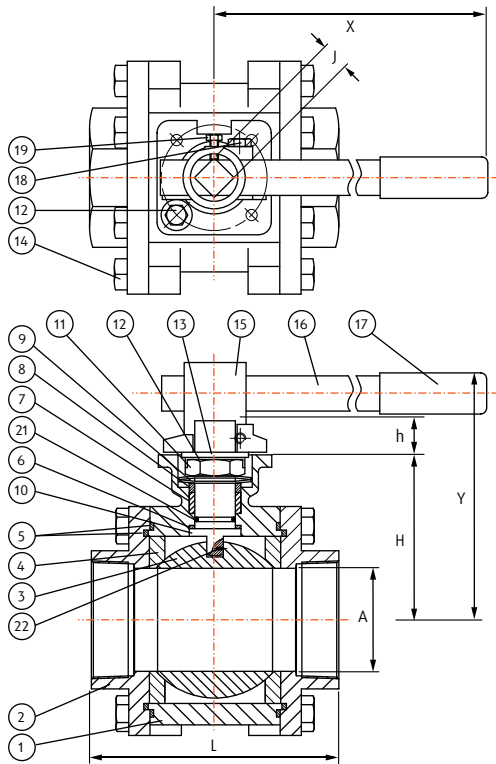
# HIGH PRESSURE 1500/2000PSI 3-PIECE BALL VALVES BV100-370

## FEATURES

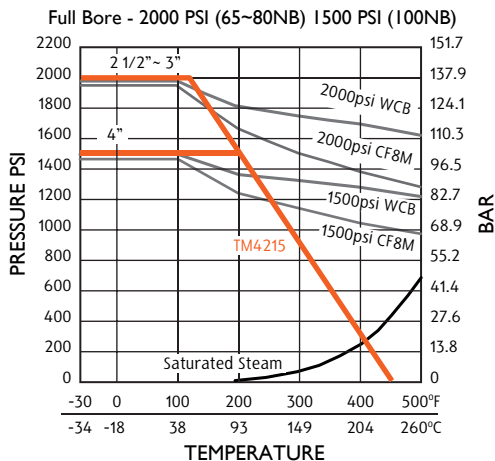
- Full Port DN 65NB~100NB (2 1/2"- 4")
- 2000PSI (13780 kPa) 65NB~80NB  
1500PSI (10335 kPa) 100NB
- Long life for Actuated Valve Applications
- Belleville Washer Set for Automatic Compression of Stem Sealing
- Direct Mount Pad (ISO 521 I)
- Precision Investment Heavy 3 Piece Cast Body
- Blow-Out Proof Stem
- Available in Carbon Steel or Stainless Steel
- Various End Connections Available (NPT, ISO 7/I, ISO 228/I, BSP, DIN 2999, DIN 259, etc.)

## MATERIALS LIST

No.	Part Name	Stainless Steel	Carbon Steel	Quantity
1	Body	ASTM A351 CF8M	ASTM A216 WCB	1
2	End Cap	ASTM A351 CF8M	ASTM A216 WCB	2
3	Ball	ASTM A351 CF8M/316	ASTM A351 CF8/304	1
4	Seats	PTFE / R-TFE	PTFE / R-TFE	2
5-1	Body Gasket - Outer	Graphite/PTFE	Graphite / PTFE	2
5-2	Body Gasket - Inner	PTFE	PTFE	2
6-1	Thrust Washer	Graphite/PTFE	Graphite/PTFE	1
6-2		PTFE	PTFE	1
7	Stem Packing	Graphite/PTFE	Graphite/PTFE	2
8	Gland	AISI 304	AISI 304	1
9	Belleville Washer	AISI 301	AISI 301	2
10	Stem	ASTM A276 316	ASTM A276 304	1
11	Gland Nut	AISI 304	AISI 304	1
12	Lock Clip	AISI 304	AISI 304	1
13	Flat Washer	AISI 304	AISI 304	1
14	Body Bolt	ASTM A193 B8	ASTM A193 B7	12-16
15	Handle	ASTM A351 CF8	CARBON STEEL	1
16	Steel Pipe	AISI 304	CARBON STEEL	1
17	Sleeve	Vinyl Plastisol	Vinyl Plastisol	1
18	Fixing Screw (Pipe)	AISI 304	CARBON STEEL	1
19	Fixing Screw (Stem)	AISI 304	CARBON STEEL	1
20	Stop Pin	AISI 304	CARBON STEEL	1
21	Stem O-Ring	Viton / NBR	Viton / NBR	1
22	Antistatic Device	AISI 316	AISI 316	1



## PRESSURE/TEMPERATURE RATING



## DIMENSIONS, WEIGHT & TORQUE (MM, KG & NM)

Size	65	80	100
	2-1/2"	3"	4"
A	65	80	100
h	24	24	29
H	116.5	127.0	159.0
L	185	205	240
J	22	22	27
X	460	460	600
Y	173	184	242
ØB	73.9	89.8	115.2
ØD	76.3	89.1	114.3
C	17	17	20
ISO 5211	F07-F10	F07-F10	F10
Weights Kg	13.4	21.0	34.4
Torque Nm	85	96	185

This catalogue is general in it's nature and design and can vary at any time. This catalogue is to be used as a guide only.

# HIGH CYCLE STEM SEAL SYSTEM 1000PSI 3-PIECE BALL VALVES VT-3-M30

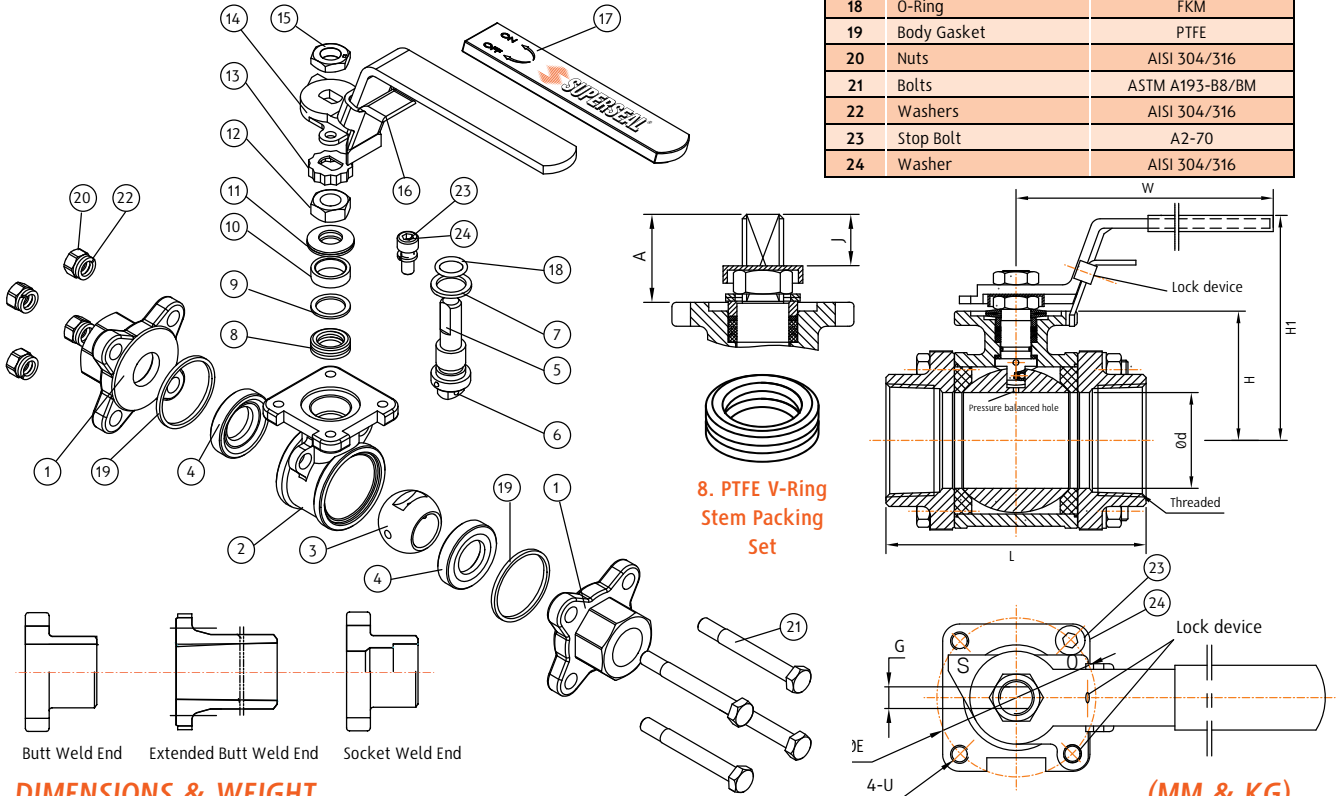
## FEATURES

- High Cycle Triple Barrier Stem Seal System
- V-Type Packing for Maximum Stem Sealing
- Full Port DN 8NB~80NB (1/4" - 3")
- 1000PSI (6895 kPa) for 8~80NB
- Long life for Actuated Valve Applications
- Belleville Washer Set for Automatic Compression of Stem Sealing
- Mount Pad (ISO 521 I)
- TA Luft Fugitive Emission Compliant
- Precision Investment Heavy 3 Piece Cast Body
- Blow-Out Proof Stem
- Available in Carbon Steel or Stainless Steel
- Various End Connections Available (NPT, ISO 7/I, ISO 228/I, BSP, DIN 2999, DIN 259, etc.)



## MATERIALS LIST

No.	Part Name	Material
1	End Cap	WCB/CF8M
2	Body	WCB/CF8M
3	Ball	CF8M
4	Seats	PTFE/TFM1600
5	Stem	ASTM A276 316
6	Antistatic Spring/Ball	SUS316
7	Stem Thrust Seal	PTFE
8	Packing	V-Type PTFE
9	Bushing	50% SS+50% PTFE
10	Gland	AISI 316
11	Belleville Washer Set	AISI 301
12	Stem Nut	ASTM A194-8
13	Stop-Lock-Cap	AISI 304
14	Handle	ASTM A351 CF8
15	Handle Nut	ASTM A194-8
16	Lock Device	AISI 304
17	Handle Sleeve	Vinyl Plastic
18	O-Ring	FKM
19	Body Gasket	PTFE
20	Nuts	AISI 304/316
21	Bolts	ASTM A193-B8/BM
22	Washers	AISI 304/316
23	Stop Bolt	A2-70
24	Washer	AISI 304/316



## DIMENSIONS & WEIGHT

Size DN	8	10	15	20	25	32	40	50	65	80
Size inch	1/4"	3/8"	1/2"	3/4"	1"	1-1/4"	1-1/2"	2"	2-1/2"	3"
L	68.0	68.0	73.0	80.0	90.0	110.0	120.0	140.0	185.0	205.0
d	10.6	12.7	15.0	20.0	25.0	32.0	38.0	50.0	63.5	76.0
H	29.5	29.5	35.5	38.5	45.5	51.0	60.5	68.5	86.5	94.5
H1	76.0	76.0	83.0	88.0	98.0	103.0	110.0	119.0	147.0	155.0
W	135	135.0	135.0	135.0	170.0	170.0	200.0	200.0	250.0	250.0
E	42.0	42.0	42.0	42.0	50.0	50.0	70.0	70.0	102.0	102.0
G	6.3	6.3	6.3	6.3	9.0	9.0	9.6	9.6	16.0	16.0
K	3/8-24UNF	3/8-24UNF	3/8-24UNF	3/8-24UNF	3/16-18UNF	3/16-18UNF	3/16-18UNF	5/8-18UNF	7/8-14UNF	7/8-14UNF
U	M5	M5	M5	M5	M6	M6	M8	M8	M10	M10
A	17.3	17.3	20.3	20.3	23.3	23.3	23.8	23.8	42.5	42.5
J	10.4	10.4	11.8	11.8	12.5	12.5	15.1	15.1	23.5	23.5
ISO 5211	F04	F04	F04	F04	F05	F05	F07	F07	F10	F10
Weight	0.64	0.65	1.50	2.09	3.09	4.87	6.59	9.92	18.5	27.1

This catalogue is general in its nature and design and can vary at any time. This catalogue is to be used as a guide only.

# SPRING RETURN DEADMAN HANDLE KITS FOR QUARTER TURN VALVES S71(-Z)



**FEATURES**

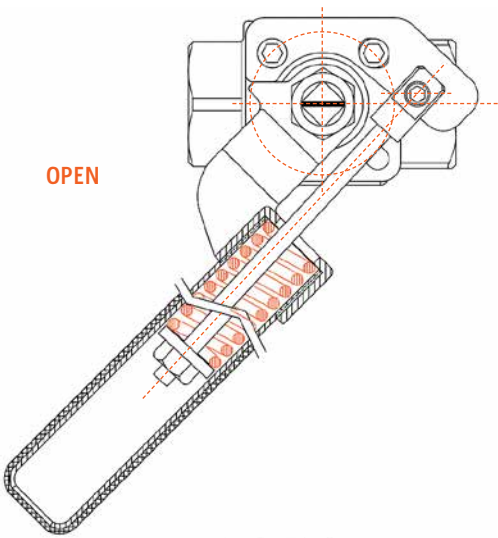
- All components of lever are stainless steel
- Operating torque should be sized according to valve torque, media, pressure and safety.
- Can be fitted on 1P, 2P, 3P valve
- Available in ISO F03 to F07
- 55CrSi Spring Material



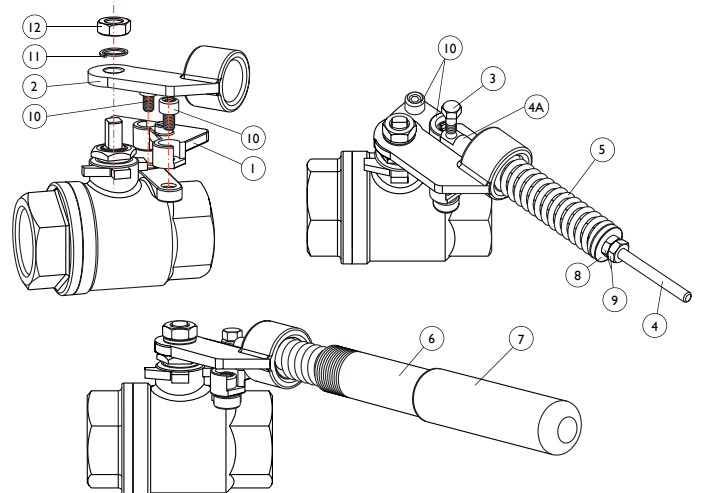
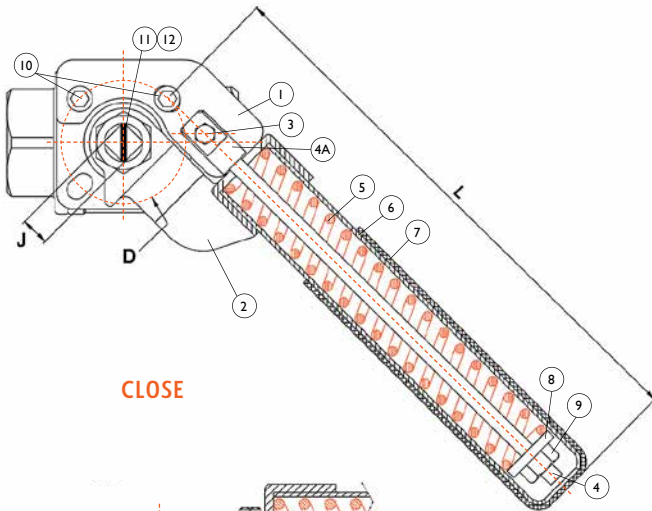
**MATERIALS LIST**

Item	Part Name	Quantity	Materials
1	Handle Head	1	CF8
2	Anchor	1	CF8
3	Anchor Screw	1	SS 304
4	Spring Rod	1	SS 304
4A	Spring Rod Anchor	1	SS 304
5	Spring	1	SS 301
6	Handle Extension	1	SS 304
7	Sleeve	1	PVC
8	Washer	2	SS 304
9	Hex Nut	2	SS 304
10	Socket Head Screws	2	SS 304
11	Washer	1	SS 304
12	Nut	1	SS 304

OPEN



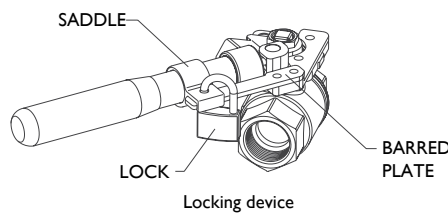
CLOSE



**DIMENSIONS & TORQUE**

Kit Part No.	L	J*	D (ISO 5211)	Torque
S71-504-00-Z	170	9	F03/F04	15Nm
S71-507-00-Z	207	9	F03/F04	20Nm
S71-507-01-Z	220	11	F04/F05	20Nm
S71-508-00-Z	275	11	F04/F05	30Nm
S71-508-01-Z	280	14	F05/F07	30Nm
S71-509-01-Z	450	14	F05/F07	55Nm

\*Available unmachined

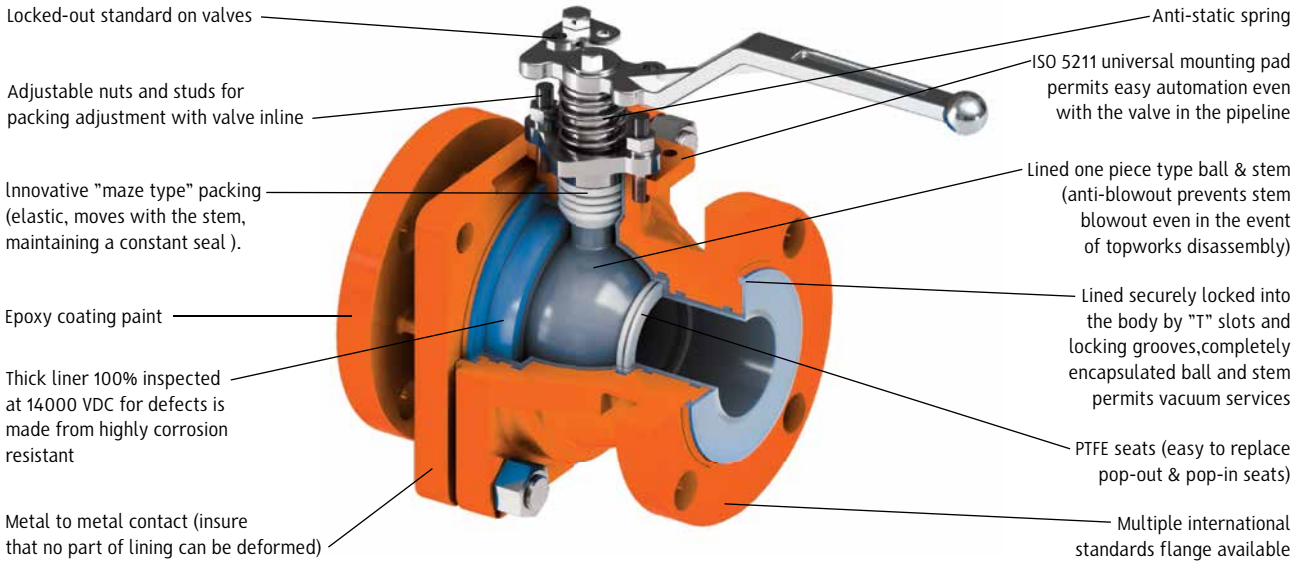


# LINED BALL VALVES DO SERIES

The DO Series ball valves are ideally suited for corrosive applications, requiring reliable performance, tight shutoff, and constant torque. The valves successfully handle a multitude of corrosive applications in industries such as chemical, petrochemical, pharmaceutical, pulp and paper, foundries and mining like sulphuric acid, etc.

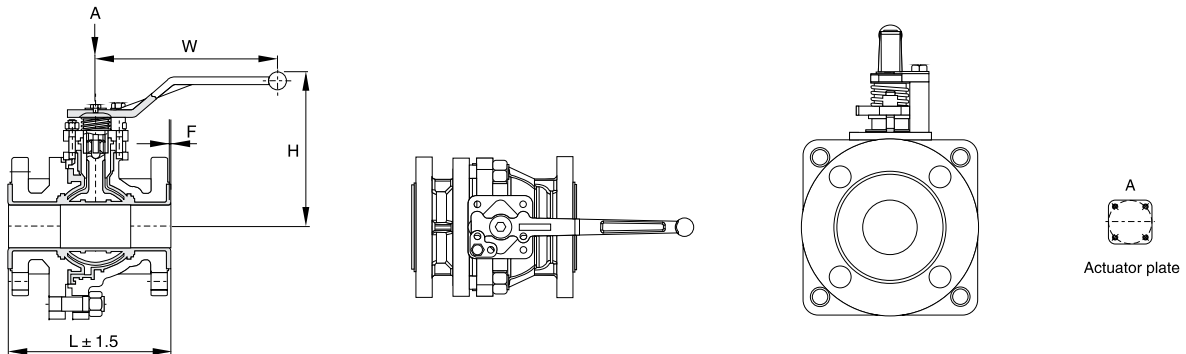
## SPECIFICATIONS

Size	1/2" -12"
Pressure	Class 150
Design Standard	API 608
Connection	Flanged, ASME B16.5
Testing	API 598
P/T	ASME B16.34
Body Material	ASTM A216 WCB, A351-CF8, Ductile Iron, etc.
Lining Material	PFA, PTFE, FEP, ETFE

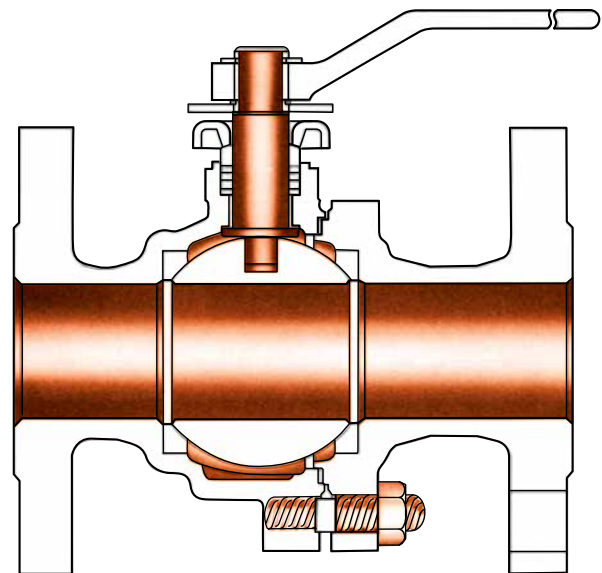
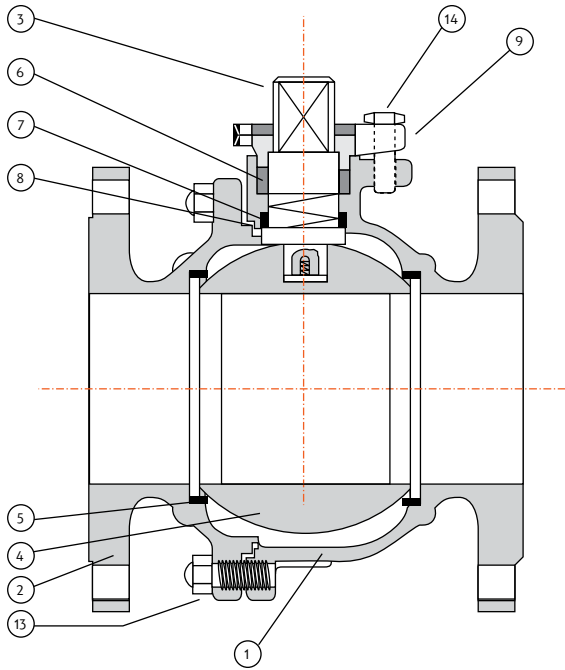


## DIMENSIONS

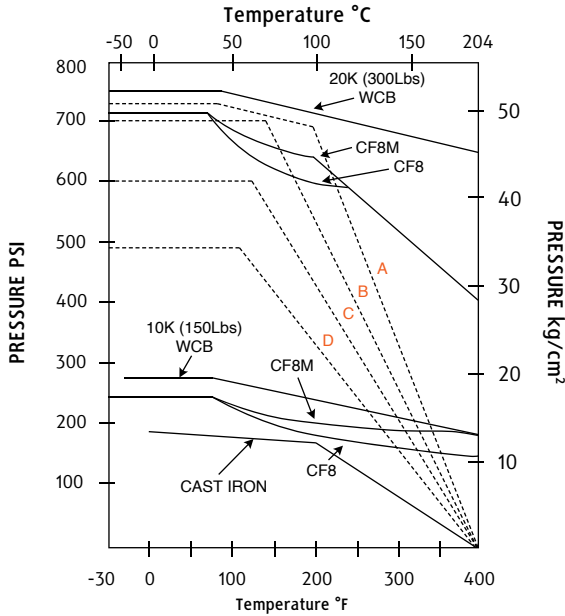
DN	NPS	ASME 150LB			JIS 10K			DIN PN10			A ISO 5211	Weight kg	CV	Torque N.m
		L	H	W	L	H	W	L	H	W				
15	0.5	108	126	160	130	126	160	130	126	160	F05	3.5	20	9
20	0.75	117	126	160	150	126	160	150	126	160	F05	4.6	20	9
25	1	127	131	160	160	131	160	160	131	160	F05	5	55	9
32	1.25	140	131	160	180	131	160	180	131	160	F05	5.5	55	20
40	1.5	165	160	200	200	160	200	200	160	200	F07	11	210	20
50	2	178	170	200	230	170	200	230	170	200	F07	14	310	26
65	2.5	190	170	200	290	170	200	290	170	200	F07	19	310	26
80	3	203	230	260	310	230	260	310	230	260	F07	28.8	684	65
100	4	229	265	313	350	265	313	350	265	313	F10	44.8	1456	91
125	5	/	265	313	400	265	313	400	265	313	F10	51	1546	91
150	6	267	347	535	480	347	535	480	347	535	F12	96.2	3262	143
200	8	292	Gear Box		600	Gear Box		600	Gear Box		F14	118	4565	364
250	10	533			730			730			F14	330	10250	455
300	12	610			850			850			F16	460	17500	494



# FLANGED 2 PIECE FLANGED BALL VALVE SLBV01 SERIES



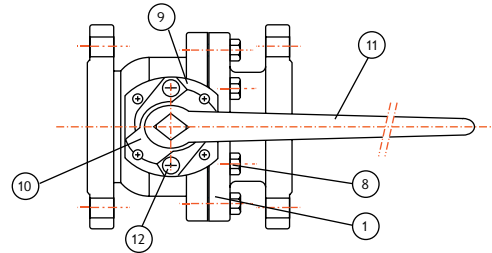
**PRESSURE RATINGS WITH REINFORCED - PTFE**



- A. Valve size 15A (1/2") to 25A(1")
- B. Valve size 40A (-1/2") to 65A(2-1/2")
- C. Valve size 80A (3") to 100A(4")
- D. Valve size 125A (5") to 250A(10")

Carbon PTFE will do higher temperatures.  
PEEK, bronze PTFE and metal seat also available.

- Full or reduced bore, solid ball
- 2 piece split body design
- Temperature range -25 to 220°C
- Lever operated
- Floating Ball design, bidirectional sealing
- Vacuum service to 20 microns (133 pascals)
- ISO mount pad available.
- Also available in flanged AS 2129 Table D/E, AS 4087 PN10, PN16, PN25 & EN 1066-2 PN10, PN16, PN25



**MATERIAL LIST**

No.	Description	Iron	S/S	S/S	Steel
1	Body	FC-20	CF8	CF8M	WCB
2	Body Cap	FC-20	SUS304	SUS316	WCB
3	Stem	304 or CR13	SUS304	SUS316	316
4	Ball	304 or CR13	SUS304	SUS316	SUS304
5	Ball Seat	PTFE	PTFE	PTFE	PTFE
6	Gland Packing	PTFE	PTFE	PTFE	PTFE
7	Stem Seal	PTFE	PTFE	PTFE	PTFE
8	Joint Gasket	PTFE	PTFE	PTFE	PTFE
9	Gland Flange	FC-20	SUS304	SUS304	WCB
10	Travel Stopper	SS41	SUS304	SUS304	SS41
11	Handle	FC-20	FC-20	FC-20	FC-20
12	Gland Bolt	SS41	SUS304	SUS304	SS41
13	Body Stud/Nut	B7/2H	SUS304	SUS304	B7/2H
14	Cap Bolt	SS41	SUS304	SUS304	SS41

Indicative bill of material only. Refer as built drawing.

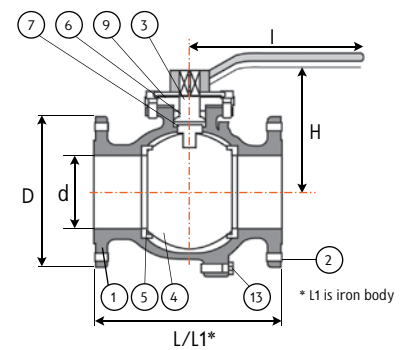
**DIMENSION LIST**

**ANSI 125 & 150**

**UNIT/MM**

Size	Inch	1/2	3/4	1	1-1/4	1-1/2	2	2-1/2	3	4	5	6	8	10	12†
	mm	15	20	25	32	40	50	65	80	100	125	150	200	250	300
d		15	20	25	32	38	50	64	78	98	123	148	200	250	12
L		108	117	127	140	165	178	190	203	230	356	394	457	533	610
L1 (Iron Body)							200	220	250	280	320	360	292/452		
D		89	98	108	117	127	152	178	190	229	254	279	343	406	433
H		90	90	110	110	130	140	155	180	180	230	260	290	420	470
I		75	75	75	75	230	230	340	340	340	380	510	720		
KG		3	3	4	5	10	11	17	23	40	100	105	170	239	430
Torque* (inch LB)		100	175	300	390	450	600	800	1200	2300	3200	4600	9980	11000	18000
CV		10	20	50	130	160	330	450	600	1200	2700	3300	9000	12000	

\* Torque is maximum breakaway at maximum differential (running torque is 1/3 of breakaway).  
Only a 20% safety factory is included.  
† Over 250NB (10") are gear operated.



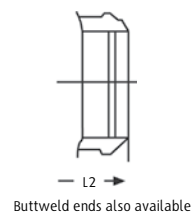
**DIMENSION LIST**

**ANSI 300LB**

**UNIT/MM**

Size	Inch	1	1-1/2	2	2-1/2	3	4	6	8	10	12†
	mm	25	40	50	65	80	100	150	200	250	300
d		25	38	50	64	78	98	148	200	250	300
L		165	190	216	241	283	305	403	502	568	648
D		125	156	165	191	210	254	318	381	445	520
H		94	115	120	155	162	191	290	340	420	470
I		160	230	230	400	400	750	1000	1500		
KG		5	10	16	22	31	52	105	170	300	400
Torque *1 (inch LB)		285	590	760	1390	2800	6800	11990			
CV		50	150	330	450	600	1200	3300	9000		

\* Torque is maximum breakaway at maximum differential (running torque is 1/3 of breakaway).  
Only a 20% safety factory is included.  
† Over 250NB (10") are gear operated.



This brochure is general and subject to change without notice



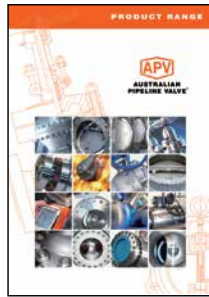
**AUSTRALIAN PIPELINE VALVE®**

**COMPLETE PRODUCT LINE**

**“Australian Pipeline Valve produces isolation, control and flow reversal protection products for severe and critical service media in utility, steam, pipelines, oil & gas and process industries. APV valves and pipeline products form the most competitive portfolio in the market.”**



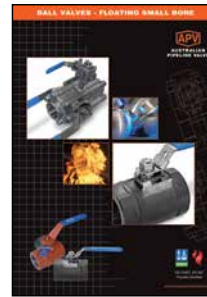
**AUSTRALIAN PIPELINE VALVE BRAND RANGE - CATALOGUES**



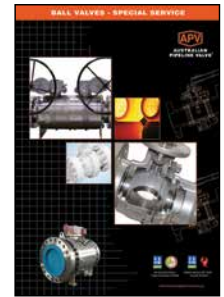
**Product Brochure**



**Ball Valves Floating & Trunnion Mounted**



**Ball Valves Floating Small Bore**



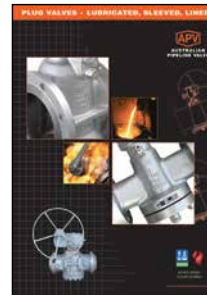
**Ball Valves Special Service**



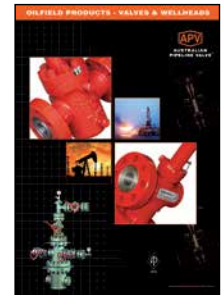
**Gate, Globe & Check Valves - Cast Steel**



**Gate, Globe & Check Valves - Forged Steel**



**Plug Valves Lubricated, Sleeved & Lined**



**Oilfield Products Valves & Wellheads**

**APV FAMILY OF BRANDS RANGE - CATALOGUES**



**Diamond Gear Gearboxes**



**Flowturn Ball Valves Multiway & Deadman**



**Flowturn Gate, Globe & Check Valves**



**Flowturn Instrument Valves**



**Flowturn Strainers & Sight Glasses**



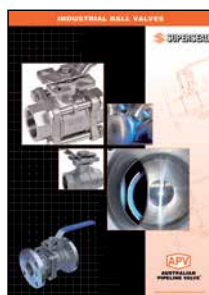
**Steamco Steam Valves**



**Supercheck Wafer Check Valves**



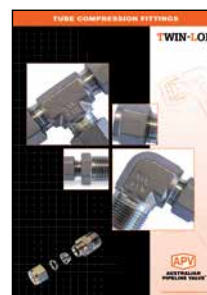
**Superseal Butterfly Valves**



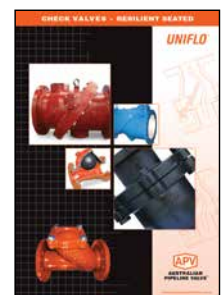
**Superseal Industrial Ball Valves**



**Torqturn Actuators**

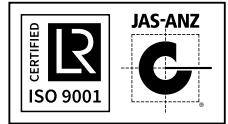


**TwinLok Tube Fittings**



**Uniflo Check Valves**

**Contact us for your local stockist/distributor**



# AUSTRALIAN PIPELINE VALVE®

ADELAIDE • BRISBANE • PERTH



[www.australianpipelinevalve.com.au](http://www.australianpipelinevalve.com.au)

LOCAL DISTRIBUTOR



## QUALITY ASSURANCE AND CERTIFICATION

*We are continually improving all facets of quality assurance. Full metallurgical and test certificates are always supplied for all pressure retaining parts, we also provide it on all major trim components.*

*We have endeavoured to provide a broad outline of our range and capabilities. Because we are continually developing new products for our customers this catalogue will, to some extent be incomplete. This catalogue is a general overview only, individual drawings and data sheets can be furnished on request.*

*If you have any requirement in the field of valves, please contact us for a prompt response. Continuous development of Australian Pipeline Valve products may necessitate changes in the design or manufacturing processes. Australian Pipeline Valve reserves the right to effect any such changes without prior notice.*

